



Wide Voltage Ultra Micro Coreless Digital Servo

Particular Specification

Item No	BMS-125WV (Newest Case / Housing)
---------	-----------------------------------

1. Electrical Specification (Function Of The Performance)

1-1	Torque @ 3.7V	2.7 kg-cm / 37.5 oz-in
1-2	Torque @ 6.0V	4.3 kg-cm / 59.7 oz-in
1-3	Torque @ 7.4V	5.5 kg-cm / 76.4 oz-in
1-4	Torque @ 8.4V	6.2 kg-cm / 86.1 oz-in
1-5	Speed @ 3.7V	0.20 sec / 60°
1-6	Speed @ 6.0V	0.13 sec / 60°
1-7	Speed @ 7.4V	0.10 sec / 60°
1-8	Speed @ 8.4V	0.09 sec / 60°

2. Apply Environmental Condition

2-1	Operating Voltage Range	3.7V ~ 8.4V (1S or 2S Li-Poly & 2S Li-Fe)
2-2	Operating Temperature Range	-10°C ~ +60°C (14°F ~ 140°F)
2-3	Application / Suitable	3D EP Aircraft, F3K, F3P & DLG, HLG.

3. Control Specification

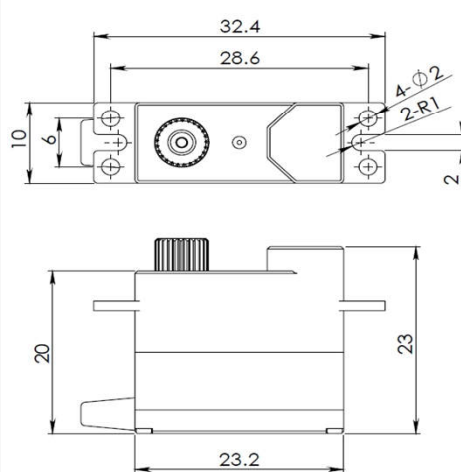
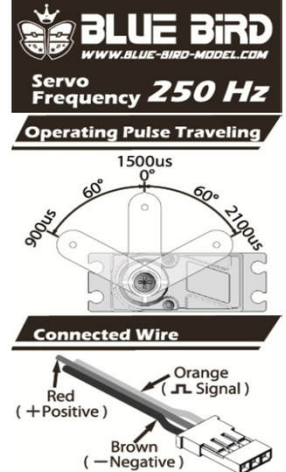
3-1	Control System	Digital Controller 12-Bits (4096 Steps) / Frequency : 250Hz / Neutral : 1520us
3-2	Dead Bend Width	0.002ms (2us)
3-3	Frame Rate (Signal repeat rate)	3ms (Maximum)
3-4	Rotating Direction	Clockwise / When Pulse Traveling 1500 ~ 2100u second
3-5	Operating Travel	90° (When 1100 ~ 1900 μ sec)

4. Mechanical Specification

4-1	Bearing	2 Brass Bushing
4-2	Gear Type	All Metal Gears
4-3	Motor Type	Coreless Motor
4-4	Outside Case	Industry Plastic
4-5	Horn / Gear Spline	25 Teeth (Same as F-Type)
4-6	Connected Cable Length	150 mm (5.9 in)
4-7	Connected Housing	Universal Connector (J-Type)

5. Outline Drawing

5-1	Dimension (mm)	23.2 x 10 x 23 mm / 0.91 x 0.39 x 0.90 in
5-2	Weight (gram)	11.3 ± 0.5 grams / 0.39 oz

5-3	Product Picture / Dimension Sketch	 
-----	------------------------------------	--